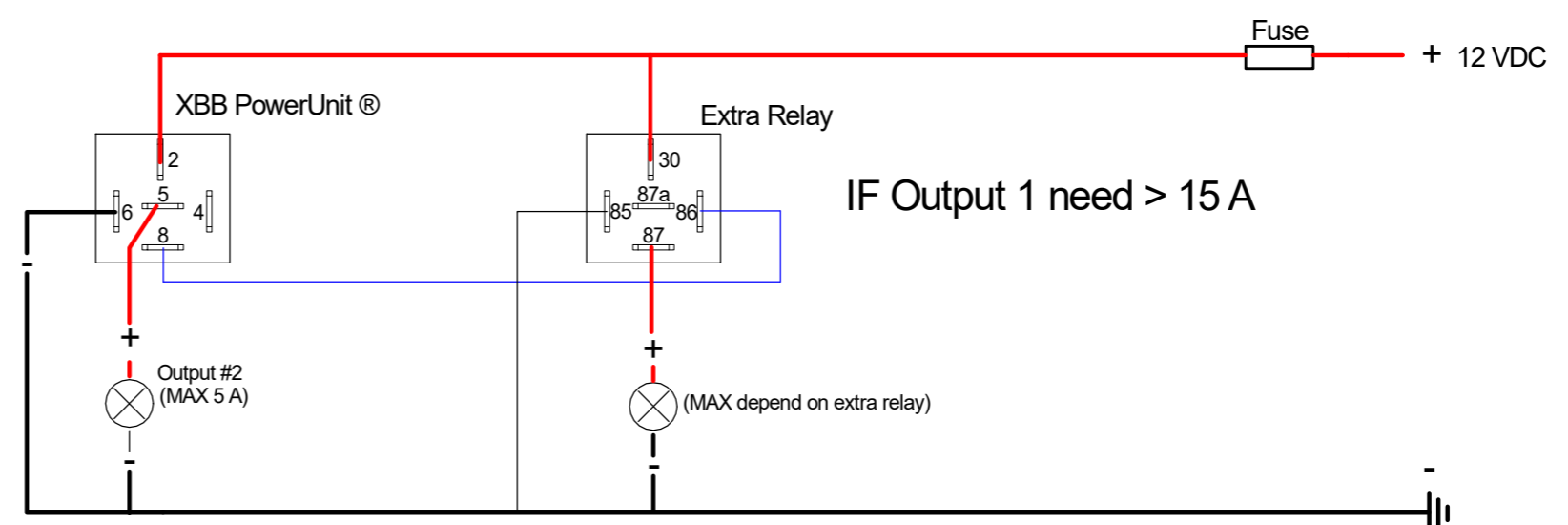
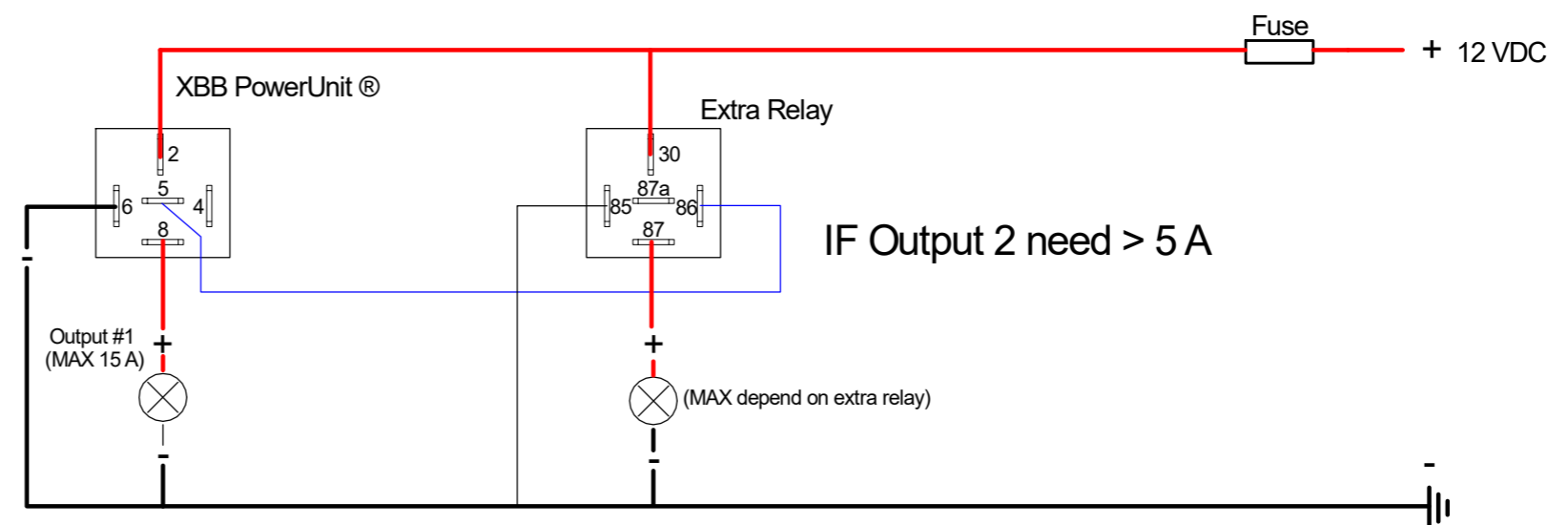
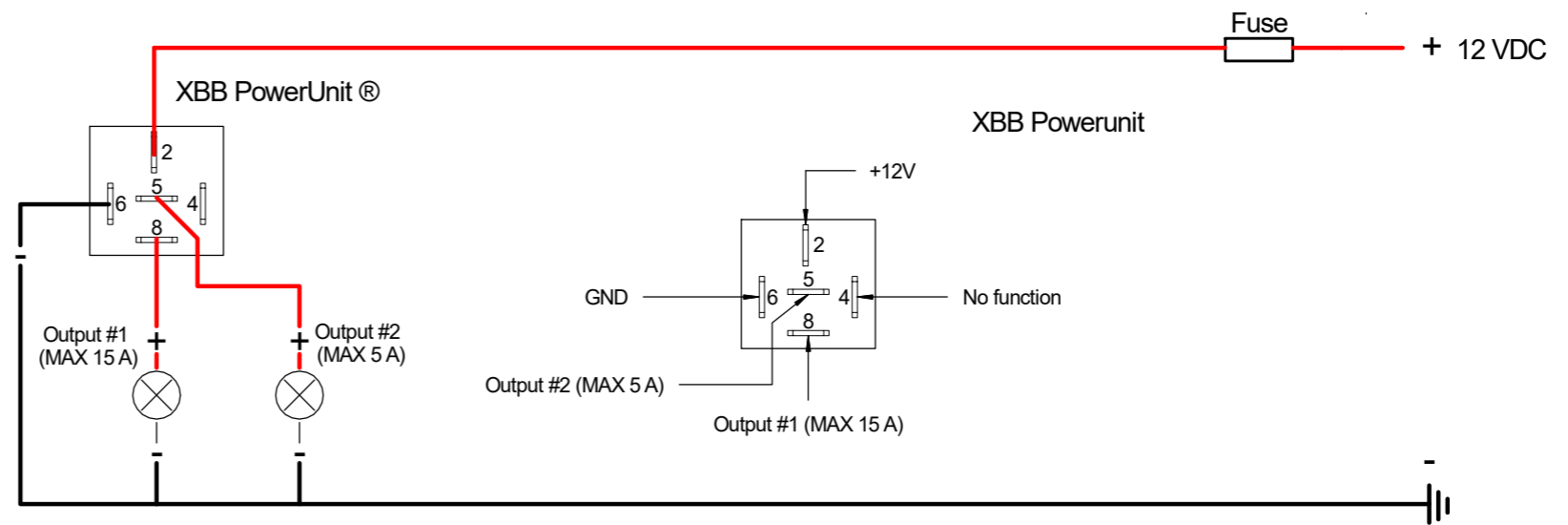
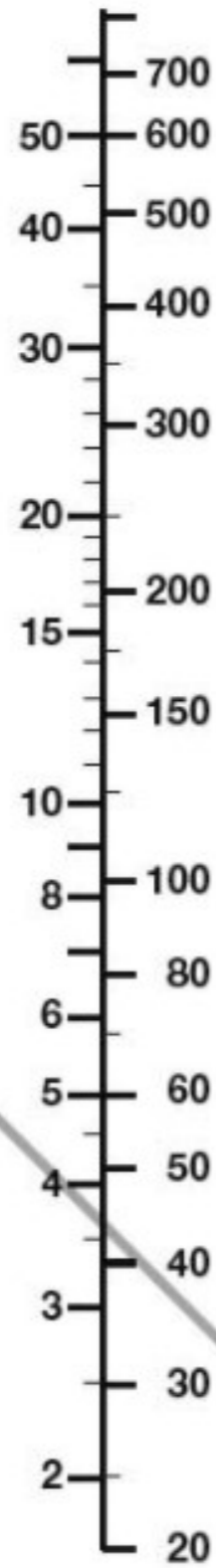
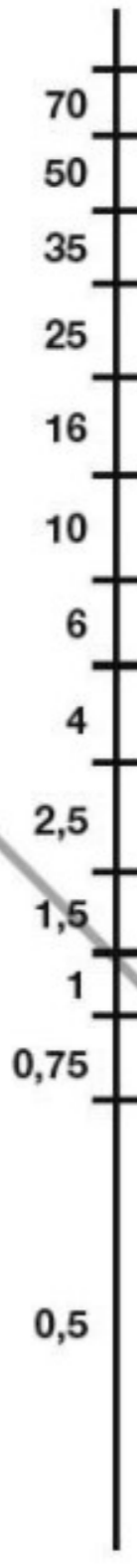
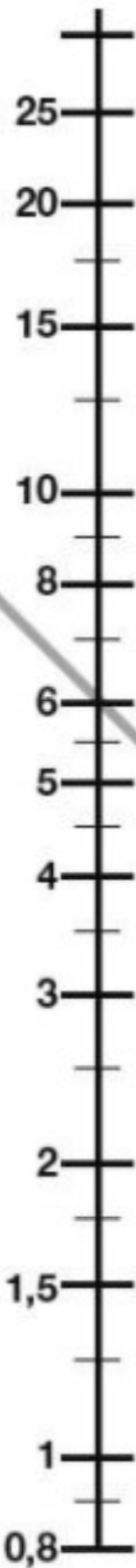


Cable length
meter

Area

Load
Ampere Watt



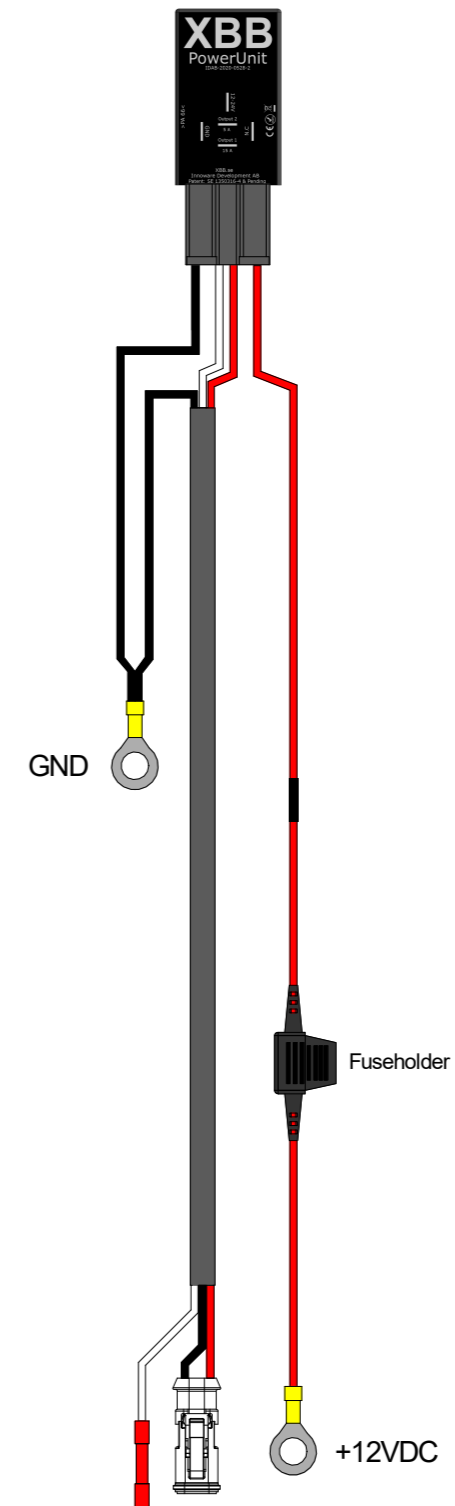
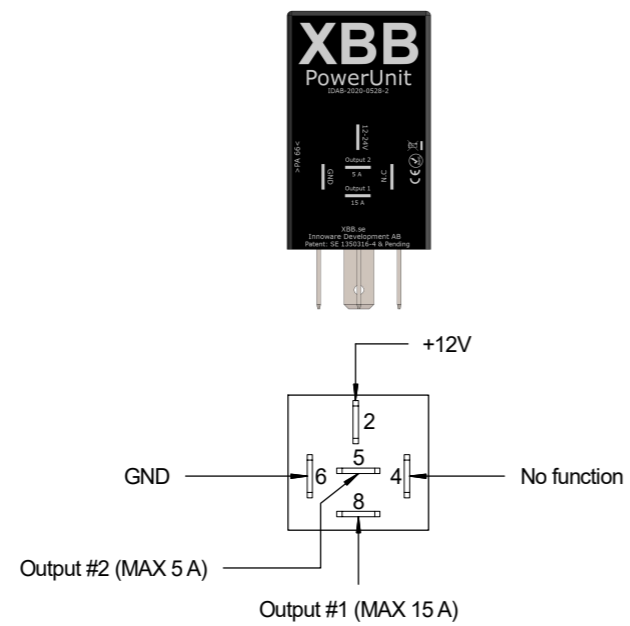
Mounting direction:


A very important step is the placement and mounting direction of the XBB PowerUnit™. When installing XBB PowerUnit™ in the engine compartment it is very important to mount the XBB PowerUnit™ with the socket pointing downwards. XBB PowerUnit™ has IP 53 protection only when mounted with the socket downwards.

Note!

Avoid using water to wash the surrounding parts and XBB PowerUnit™. If you must use water or pressure washer, please remove XBB PowerUnit™ from the relay socket before using water.

Placement from the XBB Dongle™ should be as short as possible. Even though both XBB PowerUnit™ and XBB Dongle™ have a relatively high output power, the signal can be disturbed due to encapsulation depending on vehicle construction and/or damping materials.



		Innoware Development AB	
		Hyttvägen 13	
		733 38 SALA	
FILENAMN	DATE	2023-10-19	Ver 1.0
SCHEMANAMN	RIT	JB	
		SCHEMANUMMER	

Mounting direction:

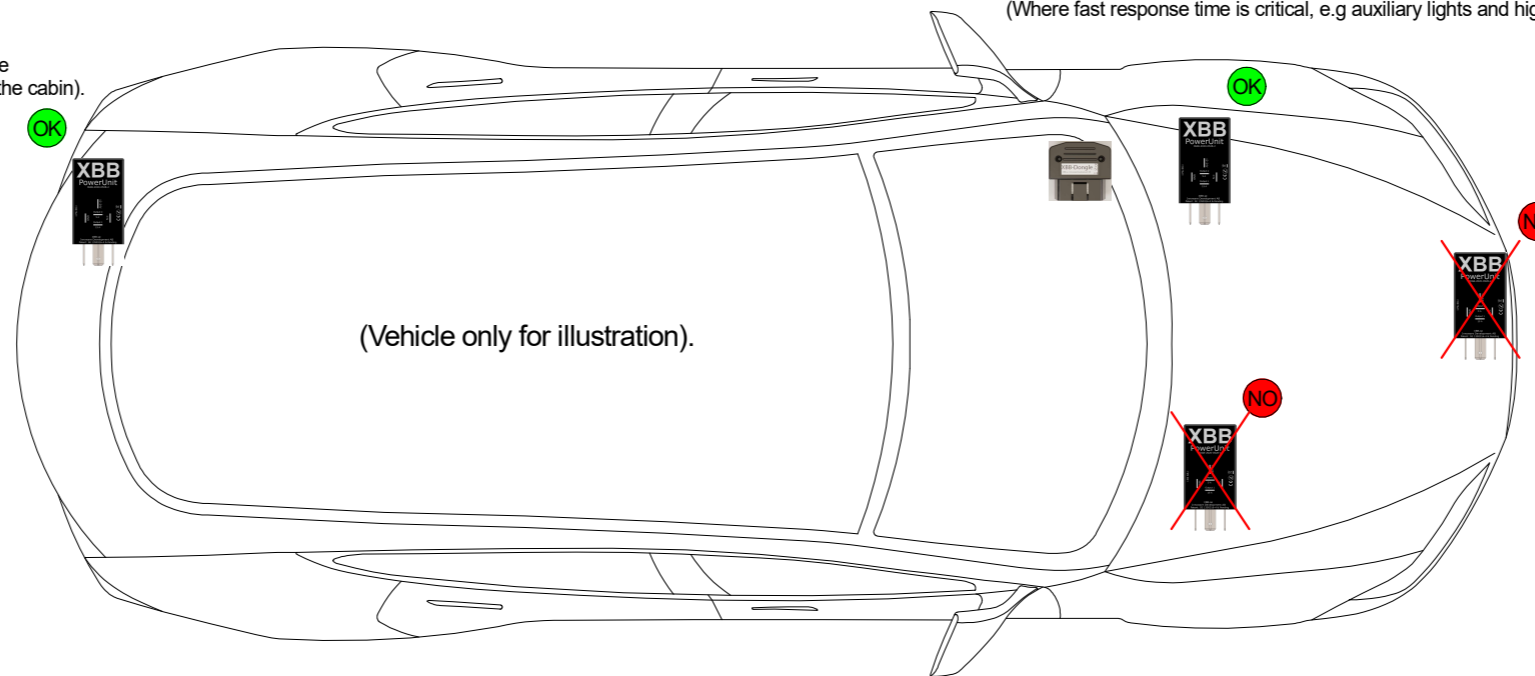
A very important step is the placement and mounting direction of the XBB PowerUnit™. When installing XBB PowerUnit™ in the engine compartment it is very important to mount the XBB PowerUnit™ with the socket pointing downwards. XBB PowerUnit™ has IP 53 protection only when mounted with the socket downwards.

Note!


Avoid using water to wash the surrounding parts and XBB PowerUnit™. If you must use water or pressure washer, please remove XBB PowerUnit™ from the relay socket before using water.

Placement from the XBB Dongle™ should be as short as possible. Even though both XBB PowerUnit™ and XBB Dongle™ have a relatively high output power, the signal can be disturbed due to encapsulation depending on vehicle construction and/or damping materials.

For reverse light or other functions where the response time is not critical (or in the same area as the cabin).



For optimal response time, place the XBB PowerUnit as close as possible to the XBB Dongle. (Where fast response time is critical, e.g auxiliary lights and high beam signal).

		Innoware Development AB	
		Hyttvägen 13	
		733 38 SALA	
FILENAMN	DATE	2021-02-04	Ver 1.0
SCHEMANAMN	RIT	JB	
SCHEMANUMMER			