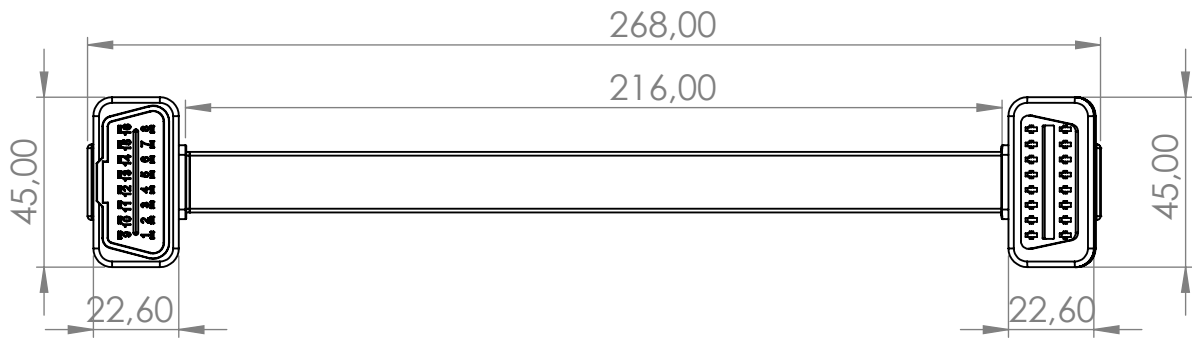
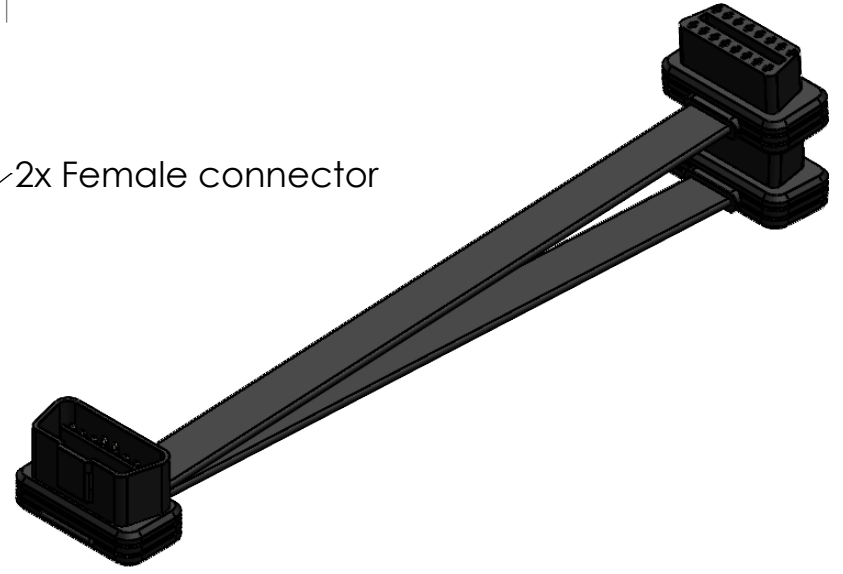


6 5 4 3 2 1



1x Male connector

2x Female connector



UNLESS OTHERWISE SPECIFIED: DIMENSIONS ARE IN MILLIMETERS SURFACE FINISH: TOLERANCES: LINEAR: ANGULAR:				FINISH:		DEBURR AND BREAK SHARP EDGES		DO NOT SCALE DRAWING		REVISION	
								TITLE: IDAB-2020-0922-1			
DRAWN				NAME		SIGNATURE		DATE			
CHK'D											
APPV'D											
MFG											
Q.A								MATERIAL:		DWG NO. OBD-II-Y-kabel	
								WEIGHT:		SCALE:1:5	
										SHEET 1 OF 1	

6 5 4 3 2 1

D

D

C

C

B

B

A

A